

retigo<sup>®</sup>

PERFECTION IN COOKING AND MORE...

# CONDENSATION HOOD **VISION VENT 2**

**TECHNICAL DOCUMENTATION**



 **READ THIS MANUAL BEFORE USE**



# CONTENTS

<b>BASIC INFORMATION .....</b>	<b>5</b>
PREAMBLE .....	5
1. ABOUT THIS MANUAL .....	5
2. USING AND OPERATING THE CONDENSATION HOOD.....	6
3. UNINTENDED USE .....	6
4. IMPORTANT INFORMATION .....	6
5. USING THE OPERATING MANUAL .....	6
6. KEY REGULATIONS .....	6
7. LIMITATION OF LIABILITY .....	7
<b>SAFETY INSTRUCTIONS .....</b>	<b>8</b>
1. GENERAL SAFETY INFORMATION.....	8
2. DESIGNATING OPERATING PERSONNEL .....	8
3. PERFECT CONDITION.....	8
4. SAFETY RULES FOR WORKING WITH THE RETIGO APPLIANCE .....	8
<b>TECHNICAL INFORMATION .....</b>	<b>9</b>
1. MAIN TECHNICAL CHARACTERISTICS .....	9
2. NAMEPLATES OF 0610, 2011 AND 623 CONDENSATION HOODS.....	12
<b>TRANSPORT AND INSTALLATION .....</b>	<b>13</b>
1. TRANSPORTING THE APPLIANCE.....	13
2. WASTE DISPOSAL .....	13
3. INSTALLING THE APPLIANCE .....	13
4. ELECTRICAL CONNECTIONS FOR AN 0610 OR 2011 CONDENSATION HOOD .....	16
5. ELECTRICAL CONNECTIONS FOR A 623 CONDENSATION HOOD.....	19
6. FITTING A 0610 CONDENSATION HOOD ONTO A CONFIGURATION OF TWO APPLIANCES .....	21
7. HOOD SETTINGS AND CONTROLS .....	22
8. FAULT REPORT IN CONNECTION WITH THE CONDENSATION HOOD.....	24
<b>MAINTENANCE AND CLEANING .....</b>	<b>25</b>



# BASIC INFORMATION

## PREAMBLE

RETIGO s.r.o. thanks you for choosing a Retigo product! Your new appliance brings together years of experience with the best professional chefs and state-of-the-art science and technology. To ensure your satisfaction from the very beginning, we would like to provide you with this manual containing the information and sensible advice you need for trouble-free use of the appliance.

We hope that you enjoy working with this RETIGO appliance and that your customers will always be satisfied.

## 1. ABOUT THIS MANUAL

### WHO THE IS MANUAL FOR

This manual is intended for anyone who only comes into contact with the appliance during its maintenance or operation. All such persons must study the manual carefully before beginning any kind of work with the appliance.

### IMPERATIVE

Study the manual carefully. It should be seen as a part of the appliance and it must not be separated from the appliance. So keep it for future use and in case of resale later.

Follow its instructions exactly, not only to make using the appliance easier, but also to ensure its optimal use and long life.

Do not start the appliance unless you are familiar with all the instructions, warnings and recommendations set out here, especially those in the "Safety Instructions" chapter.

The illustrations in this manual may not always correspond to an actual appliance. Their purpose is to describe the main features of the appliance.



The complete technology documentation for the appliance can be found at the manufacturer's website.

### WHEN IN DOUBT

Unforeseeable situations that cannot be included and described in this manual may often arise in practice. Therefore, when you're not sure what to do, always contact the manufacturer:

Retigo, s.r.o.  
 Láň 2310  
 756 64 Rožnov pod Radhoštěm  
 Tel./Fax: +420 571 665 511

INFO@RETIGO.CZ  
 WWW.RETIGO.CZ

IN case of doubt, don't hesitate to contact our highly trained specialists:

#### PROFESSIONAL SALESPeOPLE:

+420 603 571 360

+420 604 568 562

#### PROFESSIONAL CHEFS:

+420,734,751,061

+420,727,867,220

#### PROFESSIONAL SERVICE TECHNICIANS:

+420,605,769,916

+420,733,641,315



When contacting the manufacturer or trained specialists, please have your hood's basic information ready to hand.

This can be read from the nameplate located on the right side.

This shows the appliance's manufacturer, technical data, such as type and model, serial number, production year, and important information on the type of power supply, weight and protection against water.

<b>retigo®</b>	
Láň 2310, PS 43 CZ-756 64 Rožnov p. R. Tel.: +420 571 665 511 e-mail: info@retigo.com www: retigo.cz	
<b>VisionVent 2</b>	
TYPE:	<b>RPH</b>
MODEL:	<b>0610</b>
SERIAL nr.:	<b>00251110</b>
YEAR OF PRODUCTION:	<b>2018</b>
VOLTAGE:	<b>1N-(2~)/200V-240V</b>
POWER:	<b>250W - 400W</b>
WEIGHT:	<b>60kg</b>
PROTECTION:	<b>IPX 5</b>
<b>CE</b>	
<b>18</b>	

## 2. USING AND OPERATING THE CONDENSATION HOOD

Retigo hoods are intended for the extraction and condensation of waste steam from RETIGO appliances and are designed for the Vision range of models, in production since May 2017. They are controlled electronically from the relevant appliance. The hoods are intended only for RETIGO electric appliances and cannot be installed on gas appliances.

After the door of the appliance is closed and cooking begins, the temperature inside the cooking chamber of the appliance is monitored. If the temperature exceeds the level at which the hood is activated, extraction starts at a slow rate. If the door of the appliance is opened during cooking or after cooking is completed, the hood temporarily switches to a faster rate in order to extract any steam more effectively. After the door is closed, the hood reverts to a slow rate. Extraction stops when the temperature of the cooking chamber dips below the activation level or if the appliance door is left open for some time.

The manufacturer has issued an EC declaration for the hood

## 3. UNINTENDED USE

Any other possible uses shall be regarded as unintended use. RETIGO s.r.o. shall not be liable for the resulting damage. In such cases the risk shall be borne by the user!

## 4. IMPORTANT INFORMATION

- This appliance is not intended for use by people (including children) with physical or mental disabilities or who lack the experience or knowledge to use the appliance safely, unless they are supervised or instructed to use the appliance by a person responsible for their safety. Make sure that children do not handle the appliance.
- Careful study of the operating manual will provide you with important information on the design, control and safe operation of the appliance.
- After unpacking the appliance, make sure that the delivery is complete.

### CONTENTS OF CONDENSATION HOOD DELIVERY PACKAGE:

**Type 0610:** hood, 3 grease filters, sheet metal cover (for installing the hood onto an appliance with a left door), 0610 hood set, technical documents

**Type 2011:** hood, 3 grease filters, sheet metal cover (for installing the hood onto an appliance with a left door), UTP cable, UTP splitter, 2011 hood set, technical documents

**Type 623:** hood, 3 grease filters, sheet metal cover (for installing the hood onto an appliance with a left door), 623 hood set, technical documents

- Check to see if the appliance is the right type for the required use.
- Installation should be carried out only by a properly certified professional.
- The appliance must be connected in accordance with the applicable regulations and standards and the operating manual.
- Adjustment and first start-up should be done only by a service mechanic with a valid certificate from the manufacturer. A list of our contracted service companies can be found at: [www.retigo.cz](http://www.retigo.cz).
- Faulty connection may cause damage, for which the manufacturer shall not be liable.
- Maintain and clean only according to the prescribed instructions.
- If the appliance malfunctions, contact your dealer or service

partner, or one of the service companies listed at: [www.retigo.cz](http://www.retigo.cz).

### UNAUTHORIZED TAMPERING MAY DAMAGE THE DEVICE!

- For proper functioning, safety and long-term operation, we recommend regular annual inspection and maintenance by one of our contracted service companies. This will protect your investment.
- When finishing work with the appliance, switch off the electricity.
- Use only original parts for repairs.
- The manufacturer accepts no responsibility for defects caused by improper installation, or by failure to comply with regulations, standards or the operating manual during installation or operation, and the warranty does not apply to such defects.
- The appliance is intended only for professional use and must be operated by trained, qualified personnel.

## 5. USING THE OPERATING MANUAL






Read the operating manual thoroughly. Follow the operating manual during work, cleaning and maintenance. If you are not sure how to perform a certain task, ask your salesperson or the manufacturer.

### 5.1 SYMBOLS USED

The symbols used in this manual draw attention to activities that may affect safety, health or the need for inspection, helping you to avoid problems.

#### SYMBOLS USED IN THE DOCUMENTATION

In this documentation you will find symbols with the following meaning:

SYMBOL	MEANING
	These symbols mean "ATTENTION" and "WARNING", they inform you about things that may cause serious injury to the user and/or damage to the machine. Furthermore, they indicate an important instruction, feature, method or issue that must be followed or considered when operating or maintaining the appliance.
	
	This symbol indicates useful information related to the appliance or its accessories.
	This symbol is a reference to another chapter in the manual.
	It indicates other procedure options that you may, but do not necessarily have to, apply.

## 6. KEY REGULATIONS

The generally applicable legislation and other binding rules for accident prevention and environmental protection are not listed individually, but must be followed as strictly as possible. Examples of these regulations include:

- ČSN EN 60335-1 ed.2:03 +A11:04+A1:05+A12:06+A2:07+A13:09+A14:10+ A15:12

- ČSN EN 60335-2-99:04
- ČSN EN 61000-6-2 ed.3:06
- ČSN EN 61000-6-4 ed.2:07+A1:11
- Act No 22/1997, Government Regulation NV 17/2003 and 616/2006.
- Directives of the European Council: 2006/95/EC and 2004/108/EC.

The manufacturer has issued an EC declaration for the hood.

## **7. LIMITATION OF LIABILITY**

All technical information, data and operating and maintenance instructions contained in the operating manual reflect the situation current at the time of delivery and are based on our experience to date and our best knowledge. In the context of continuing development, we reserve the right to introduce technical changes to appliances covered by this operating manual. We accept no liability for damage or breakdowns caused by wrong operation, failure to comply with this operating manual, use of aggressive chemical cleaning agents or incorrect repairs. Note especially that this also applies to replacement parts that we have not delivered and to accessories that we have not tested or approved.

For safety reasons, Retigo shall approve no reconstruction or modification to the appliance carried out by the user, and shall accept no liability for damage caused in this way. The company shall be liable for unintentional errors or omissions falling within its warranty responsibilities as agreed in the contract and to the exclusion of other claims.

No claims may be made for compensation for damages irrespective of the legal grounds.

# SAFETY INSTRUCTIONS

## 1. GENERAL SAFETY INFORMATION

This documentation contains the information required for suitable use of the product described. Knowledge and application of the safety instructions and warnings in this documentation are a prerequisite for the safe start-up, operation and maintenance of the appliance. For purposes of clarity, the documentation does not contain all details of all versions of the described product, and they cannot cover every conceivable case to be considered during operation and maintenance. If you need further information or have problems that are not adequately described in our documentation, please contact your sales representative or the manufacturer by telephone or in writing.

## 2. DESIGNATING OPERATING PERSONNEL

Decide who will work with the appliance, and train the person. The appliance is intended only for professional use and must be operated by trained, qualified personnel.

## 3. PERFECT CONDITION

Operate the appliance only in perfect condition. Do not remove any safety equipment such as covers etc. Do not modify the appliance in any way.

## 4. SAFETY RULES FOR WORKING WITH THE RETIGO APPLIANCE

To work safely with the appliance, remember the following safety rules. This will avoid a risk to your health!

Do not use aggressive and highly alkaline cleaning agents.

Damage resulting from incorrect cleaning are not covered by the warranty. Carefully read the safety instructions on the product labels of the cleaning agents. Do not use pressure cleaners or water sprays to clean the cooking chamber or the outer surfaces of your appliance.

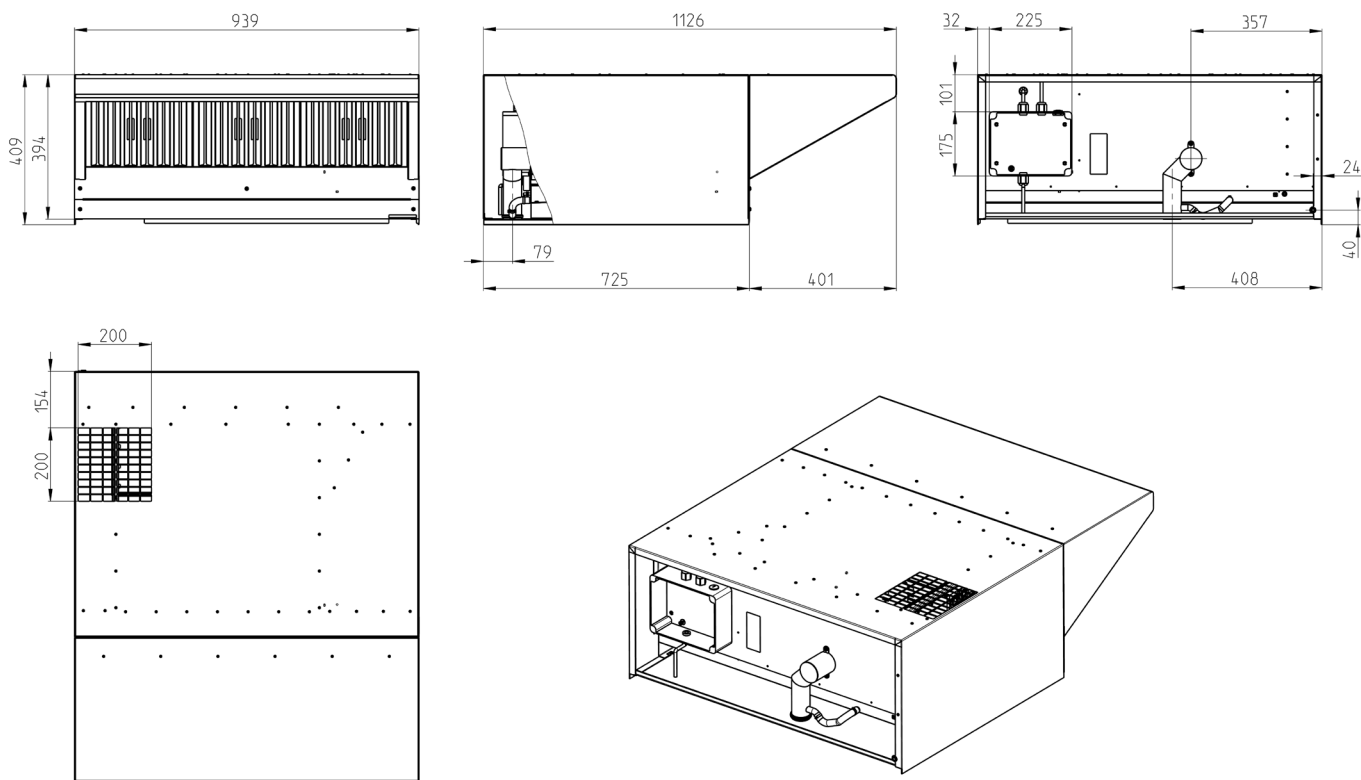


# TECHNICAL INFORMATION

## 1. MAIN TECHNICAL CHARACTERISTICS

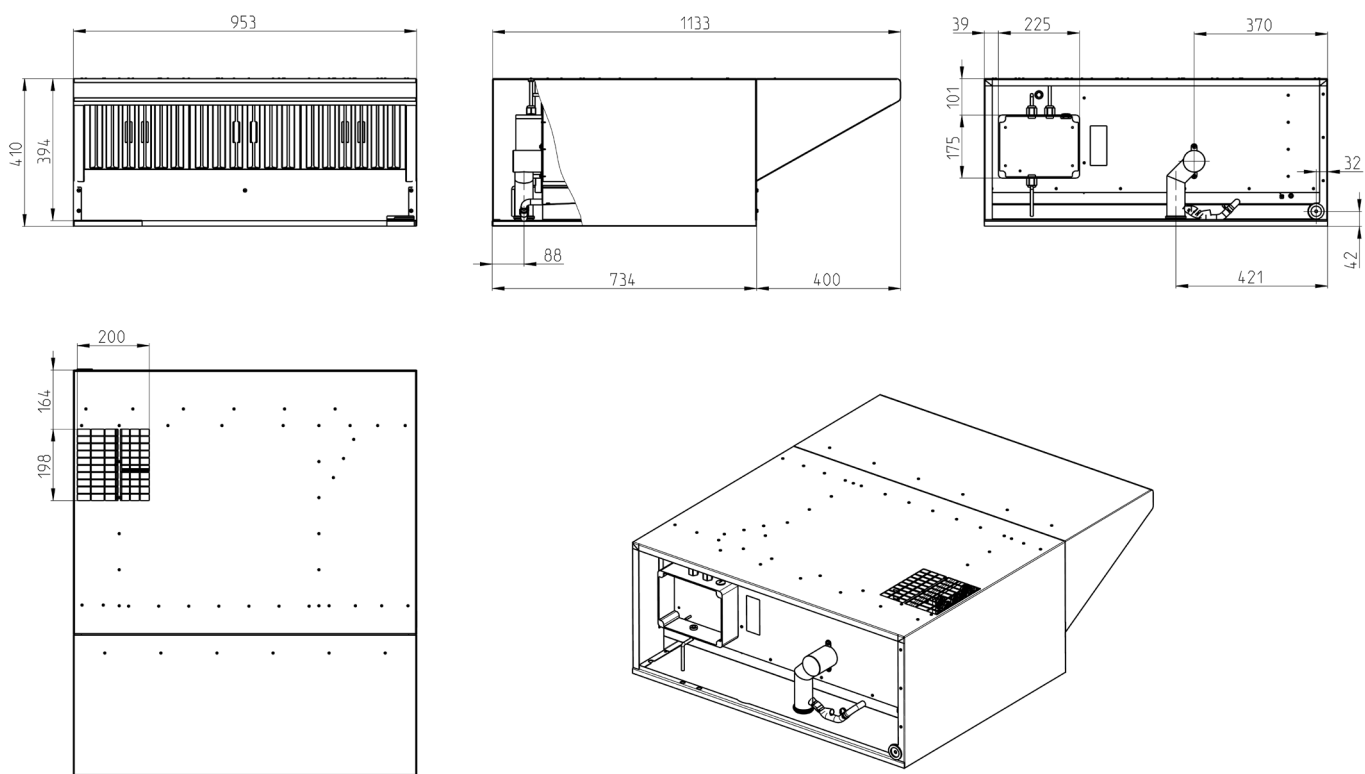
### 0610 Condensation hood

Weight:	60 kg
Dimensions (height, width, depth):	1126 x 939 x 409 mm
Noise level – min/max:	63 dB/ 68 dB
Maximum air flow:	1000 m <sup>3</sup> /hour
Maximum power consumption:	400 W
Voltage:	1N~(2~)/200-240V/50-60Hz



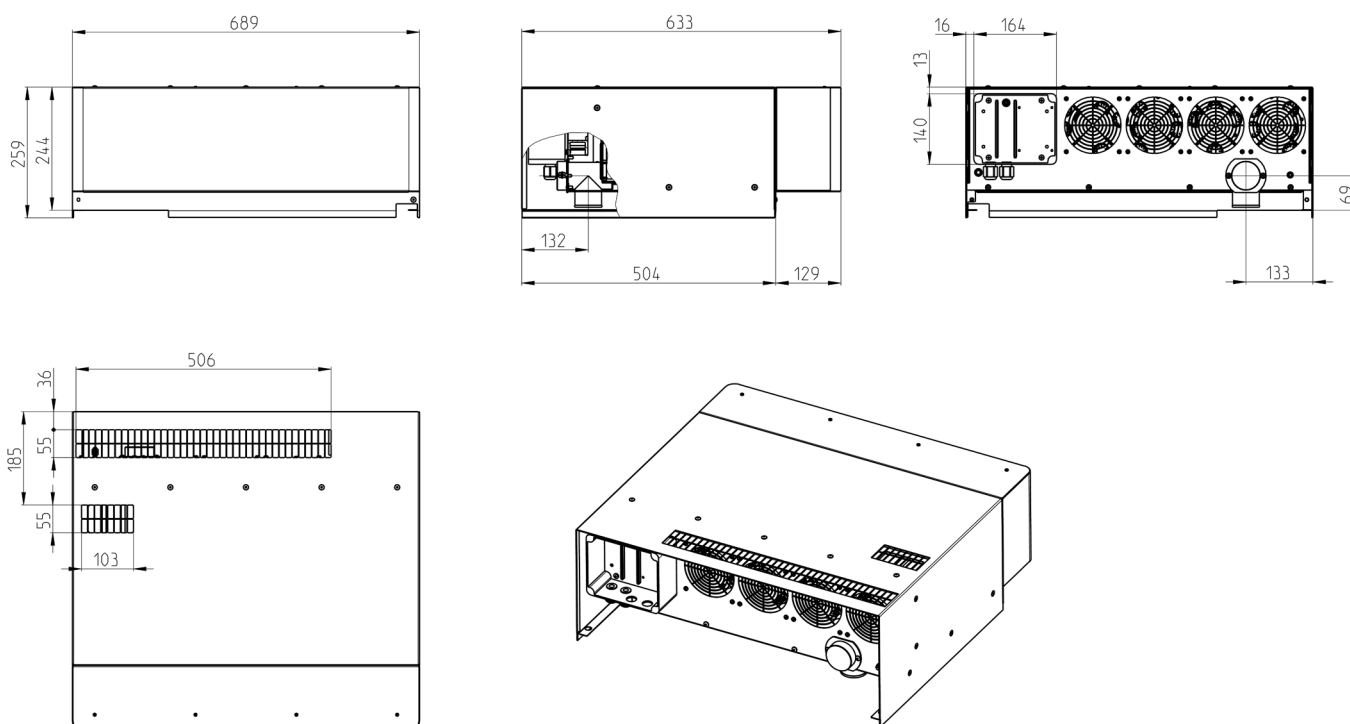
## 2011 Condensation hood

Weight: 60 kg  
Dimensions (height, width, depth): 1133 x 953 x 410 mm  
Noise level – min/max: 63 dB/ 68 dB  
Maximum air flow: 1000 m<sup>3</sup>/hour  
Maximum power consumption: 400 W  
Voltage: 1N~ (2~)/200-240V/50-60Hz




## 623 Condensation hood


Weight: 40 kg  
Dimensions (height, width, depth): 633 x 689 x 259 mm  
Noise level – min/max: 46 dB/ 50 dB  
Maximum air flow: 760 m<sup>3</sup>/hour  
Maximum power consumption: 165 W  
Voltage: 1N~ (2~)/200-240V/50-60Hz




## 2. NAMEPLATES OF 0610, 2011 AND 623 CONDENSATION HOODS

The nameplate is located on the left side of the hood, at the bottom. The nameplate states the manufacturer of the appliance, technical information and marks indicating that the product fulfils the applicable standards.

<b>retigo®</b>	
Láň 2310, PS 43 CZ-756 64 Rožnov p. R. Tel.: +420 571 665 511 e-mail: info@retigo.com www: retigo.cz	
<b>VisionVent 2</b>	
TYPE: TYP:	<b>RPH</b>
MODEL:	<b>0610</b>
SERIAL nr : výřč.:	<b>00251110</b>
YEAR OF PRODUCTION: ROK VÝROBY:	<b>2018</b>
VOLTAGE: NAP.:	<b>1N~(2~)/200V-240V 50-60Hz</b>
POWER: CELK.PŘÍKON:	<b>250W - 400W</b>
WEIGHT: HMOTNOST:	<b>60kg</b>
PROTECTION: KRYTÍ:	<b>IPX 5</b>
	
<b>18</b>	

<b>retigo®</b>	
Láň 2310, PS 43 CZ-756 64 Rožnov p. R. Tel.: +420 571 665 511 e-mail: info@retigo.com www: retigo.cz	
<b>VisionVent 2</b>	
TYPE: TYP:	<b>RPH</b>
MODEL:	<b>2011</b>
SERIAL nr : výřč.:	<b>00251110</b>
YEAR OF PRODUCTION: ROK VÝROBY:	<b>2018</b>
VOLTAGE: NAP.:	<b>1N~(2~)/200V-240V 50-60Hz</b>
POWER: CELK.PŘÍKON:	<b>250W - 400W</b>
WEIGHT: HMOTNOST:	<b>60kg</b>
PROTECTION: KRYTÍ:	<b>IPX 5</b>
	
<b>18</b>	

<b>retigo®</b>	
Láň 2310, PS 43 CZ-756 64 Rožnov p. R. Tel.: +420 571 665 511 e-mail: info@retigo.com www: retigo.cz	
<b>VisionVent 2</b>	
TYPE: TYP:	<b>RPH</b>
MODEL:	<b>623</b>
SERIAL nr : výřč.:	<b>00251110</b>
YEAR OF PRODUCTION: ROK VÝROBY:	<b>2018</b>
VOLTAGE: NAP.:	<b>1N~(2~)/200V-240V 50-60Hz</b>
POWER: CELK.PŘÍKON:	<b>60W - 150W</b>
WEIGHT: HMOTNOST:	<b>60kg</b>
PROTECTION: KRYTÍ:	<b>IPX 5</b>
	
<b>18</b>	

# TRANSPORT AND INSTALLATION

## 1. TRANSPORTING THE APPLIANCE

### 1.1 Instructions for transporting the appliance

Take all possible care when transporting the appliance. Take particular care during transport to ensure that the appliance is not damaged.

#### WHEN RECEIVING THE PRODUCT:

- immediately check the number of items against the accompanying documents (delivery note, invoice, freight note)
- inspect the condition of the packaging and equipment.

#### IF THERE IS ANY DAMAGE, DO THE FOLLOWING:

- request a "damage report" on the spot
- take detailed photos of the damage.
- if the damage appears to be greater than CZK 10,000, we recommend consulting an insurance assessor
- Have the damage report confirmed by the driver, transport company or airport employee.



The packaging will not protect the appliance from impact or pressure from sharp or blunt objects.



After unpacking the appliance, check to see that the delivery is complete according to the delivery slip, and remove all documents and packing material from inside the appliance.

## 2. WASTE DISPOSAL

Under Act 477/2001 (94/62/EC), Retigo s.r.o. is authorized to use the Green Dot symbol, which means that the price of the product includes costs associated with disposing of the packing material.

According to Section 10 of Act 185/2001 Coll. on refuse, follow the instructions below:

### 2.1 Disposing of packaging

Take the cardboard for recycling. Place the protective film and polystyrene supports into a recycling collection container for plastics.

### 2.2. Disposing of the appliance after the end of its useful life

The appliance can then be taken out for recycling.

## 3. INSTALLING THE APPLIANCE

Operate the appliance only in perfect condition. Do not remove any safety equipment such as covers etc. Do not modify the appliance in any way.

### 3.1 Preparing the appliance for installation

- Before installing the hood, disconnect the appliance from the power supply.
- Always install the hood in accordance with the regulations and standards applicable in your country.
- The hood will only work correctly if installed on an appliance with the following software versions:
  - Blue Vision – version 2.28 or higher
  - Orange Vision – version 3.49 or higher
- Unpack the hood carefully from the transport packaging and remove the protective cover.
- The hood is made for operation on an appliance with a right opening door. If it is installed on an appliance with a left opening door, the hood's front cover should be replaced. The cover forms part of the delivery.
- The hood must be modified if it is to be mounted onto a combination of two appliances. To modify the hood, follow the "Set for combination with hood", Article AA11-9908.

### 3.2 Fitting the condensation hood onto the appliance

- Remove the side cover of the appliance onto which the hood is to be installed. Unscrew the bolts of the cover using a screwdriver and a No. 8 spanner, see fig. 1.

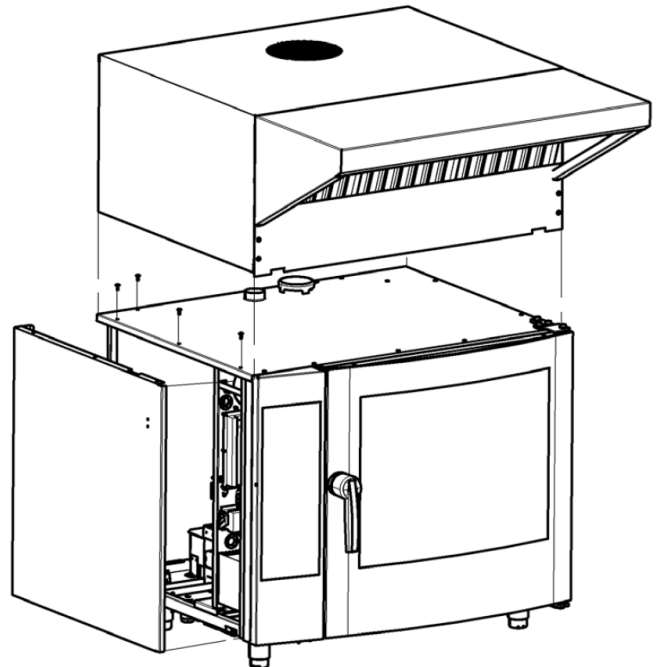


Figure 1: 0610 hood for appliance size 611

- Fit the 0610 hood onto the appliance, taking care to correctly connect the hood input (the tube at the back of the hood) onto the appliance's flue - see fig. 2. Due to the weight of the hood, a sufficient number of persons will be needed for this operation.

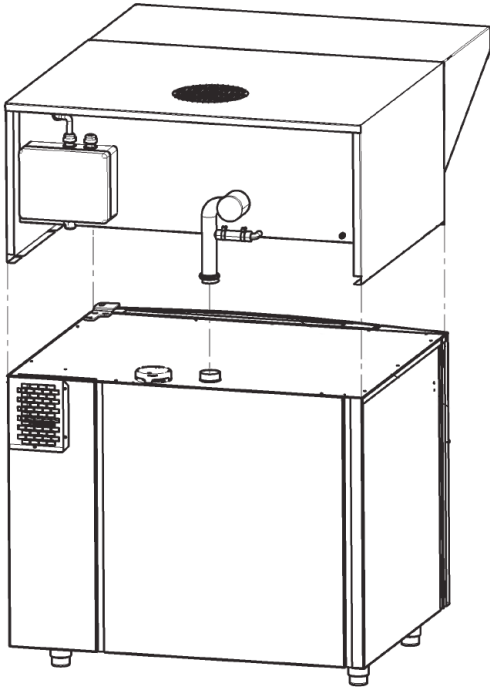


Figure 2: Fitting the tube into the flue for an 0611 hood

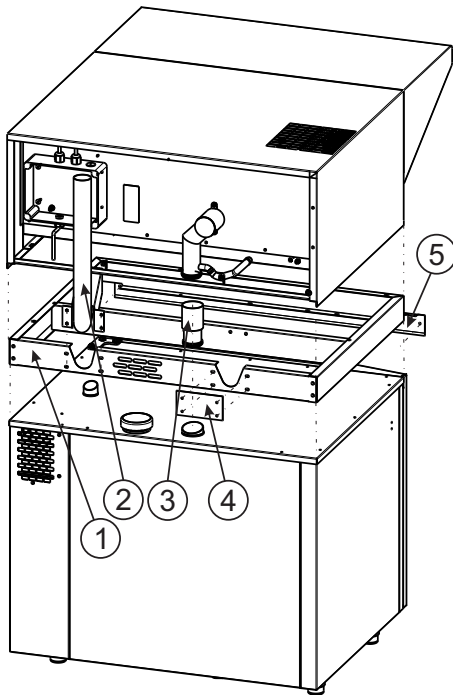


Figure 2a: Fitting the hood attachment 0610 on the gas appliance 0611

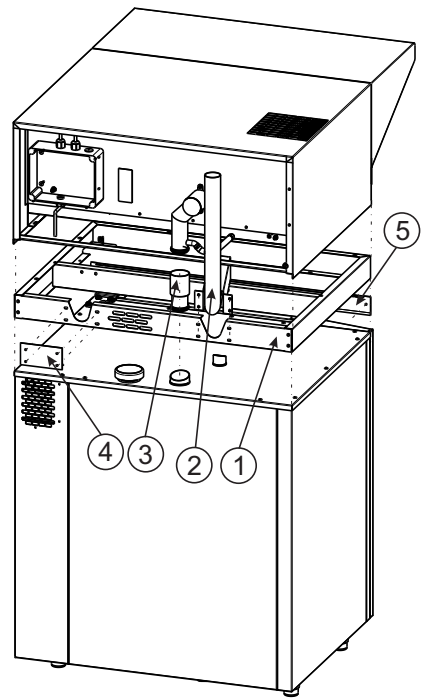


Figure 2b: Fitting the hood attachment 0610 on the gas appliance 1011

- Follow the installation procedure according to AA96-0001.
- Fitting a 623 hood to an appliance

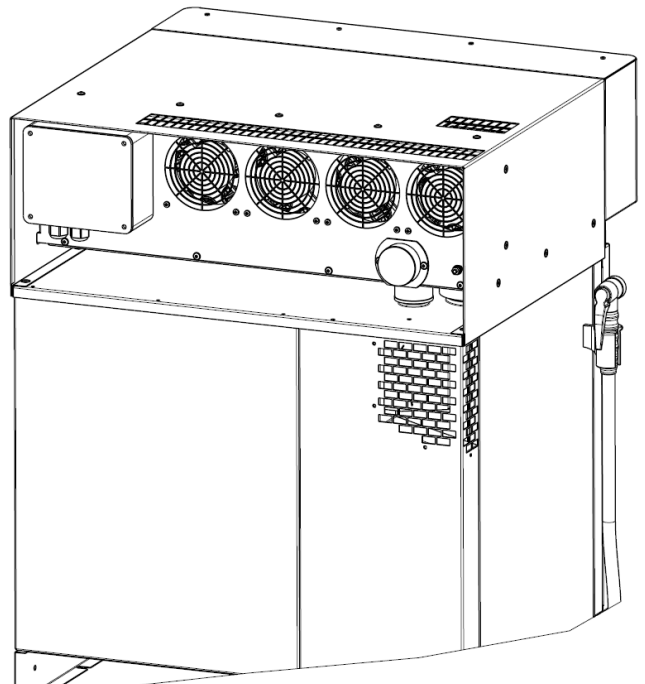


Figure 3: Fitting a 623 hood

- Fit the grease filters supplied with the hood to the suction opening in the front part of the hood.
- Start with the two outer filters (they have a rim) (see fig. 4), and then insert the middle filter between them.

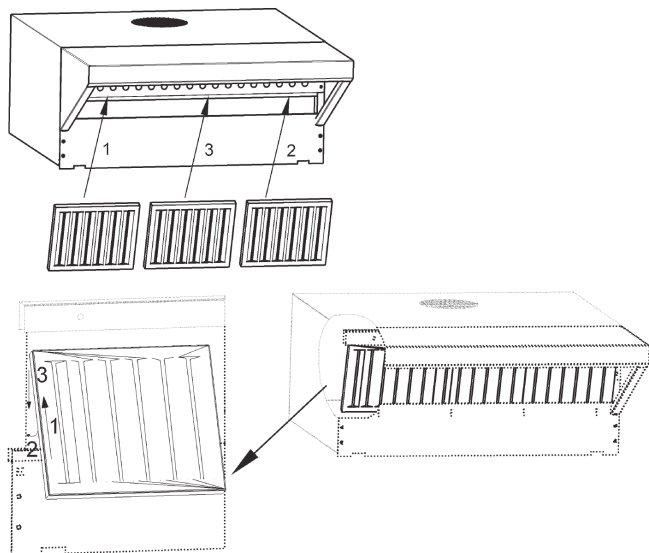


Figure 4: Grease filters in a 0610 hood

- The procedure for installing filters to a 623 hood is the same as the one described above (see fig. 5)

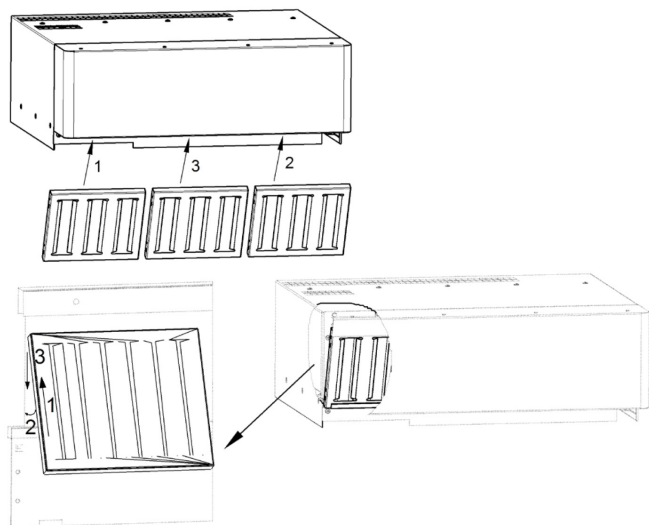


Figure 5: Grease filters in a 623 hood

### 3.3 Checking the installation point

Check to make sure the electrical connection parameters match the parameters on the nameplate. This will help you avoid problems and delays in installing.

## 4. ELECTRICAL CONNECTIONS FOR AN 0610 OR 2011 CONDENSATION HOOD

The hood may be connected only to a normalized voltage network, whose parameters match the data listed on the hood's nameplate.

The hood must be protected by a fuse of up to 16A.

At the back of the hood there is an M6 bolt (6), which is for the protective couplings, see fig. 6. Connect it to a suitable cable and make the protective couplings

### 4. 1. Connecting the control parts

At the back of the hood, there is a plastic distributor (4), from which the controlling UTP cable (2) emerges, at the end of which is connector RJ-45 (see fig. 6).

Cut a cross-shaped opening in the rubber grommet (1) on the edge of the hood. Pass the UTP cable (2) through the opening and run it to the pierced flanges (3) at the back left corner of the base of the appliance (see fig. 6)

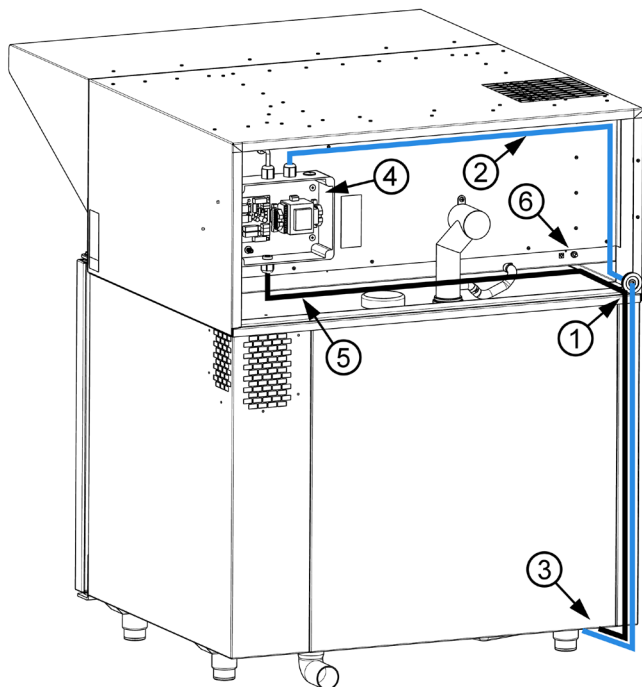


Figure 6: Back of 0610 hood

In the base of the appliance, break through the flange marked with the number "2" (see fig. 7a or 7b), insert a M20x1.5 cable gland into it, thread the UTP cable through it from the bottom of the appliance upwards and fasten it securely.

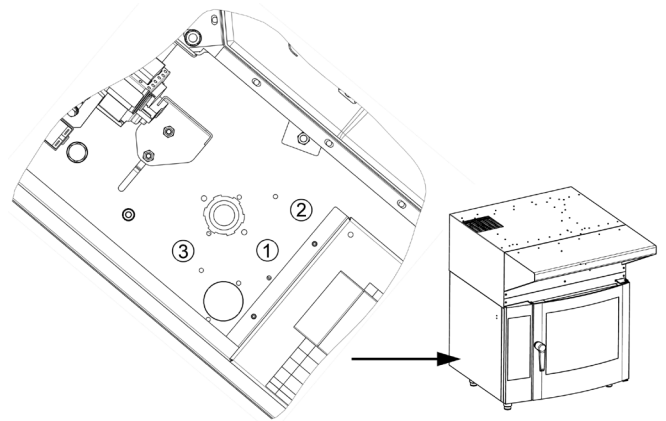


Figure 7a: Location of the flanges on the base of an appliance of size 611

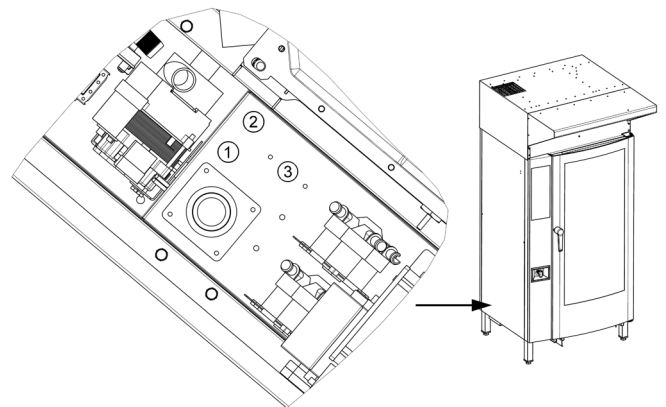


Figure 7b: Location of the flanges on the base of an appliance of size 2011

On the appliance's electrical board, next to the relay panel, there is a rubber grommet (1). Thread the UP cable through this grommet (2) and guide it towards the front of the electrical board (see fig. 8)

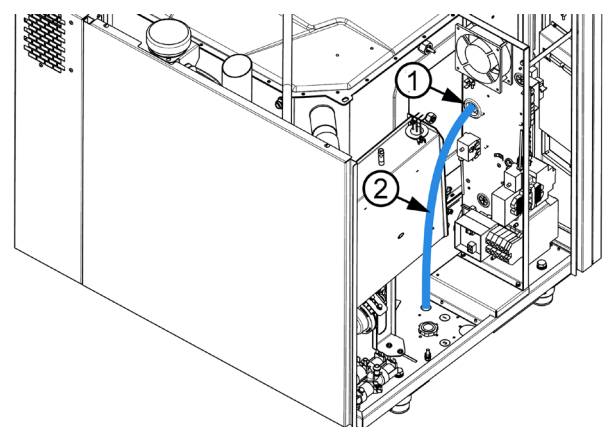


Figure 8: Threading the UTP cable through the rubber grommet

Fit the end of the UTP cable (2) into RJ-45 port (1), marked X4 or X5 on the relay panel (3) (see. fig. 9).



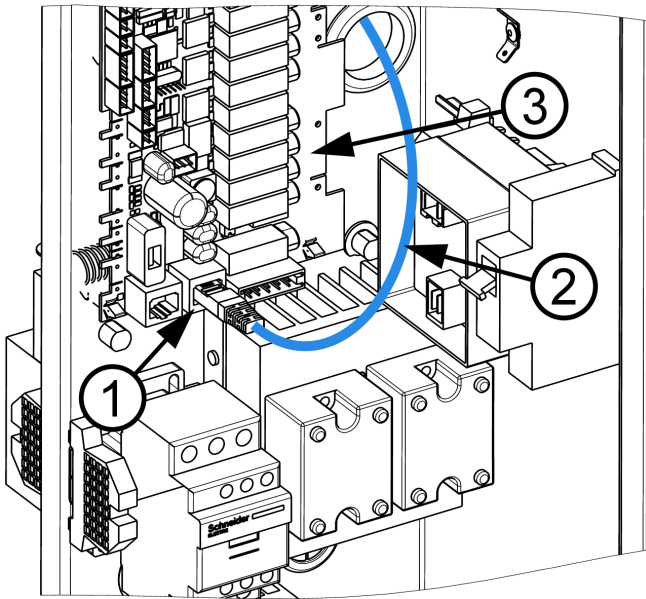


Figure 9: Fitting the UTP cable into the RJ-45 port

If both ports are already in use (only in the case of appliance size 2011, model Blue), use an RJ-45 splitter (1) and the attached short UTP cable (2), see fig. 10. Connect the original UTP cable (3) to the port as well.

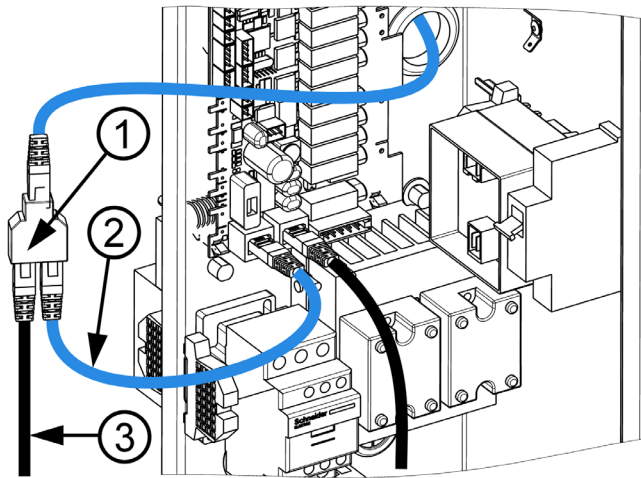


Figure 10: Connecting the RJ-45 splitter

## 4. 2 Connecting the control parts

At the back of the hood (see fig. 6), there is a plastic distributor (4), from which the 3 x 1.5mm<sup>2</sup> power cable emerges(5), terminating in loose leads. Thread this cable through the rubber grommet in the same way as the UTP control cable.

The hood may be powered either from a separate electrical connection (fixed or movable) or directly from the appliance. The method of connecting the power part depends on which of these options is selected. Connecting the control part is the same in both cases.

### POWERING FROM A FIXED ELECTRICAL CONNECTION

Attach the free end of the cable to the fixed electrical supply, which must contain a multi-pole breaker device (switch) with a minimum distance of 3mm between the contacts.

### POWERING FROM AN ELECTRIC PLUG

On the free end of the cable attach a suitable power plug (not included in the package) for the country of use. The plug must be inserted into a socket that is within easy reach.

### POWERING FROM THE APPLIANCE

The hood can be attached in this way only to an appliance powered from the following mains supply:

- 3N~/380-415V
- 3~/200-240V
- 1N~(2~/)220-240V



Using any another power source can destroy the hood!

Make sure that the appliance is disconnected from the power supply.

Remove the left side cover of the appliance.

Loosen the control panel by unscrewing the M4 bolt with washer (1) from underneath the control panel (see fig. 11), and remove the panel by sliding upwards, pull out towards you and flip out to the left.

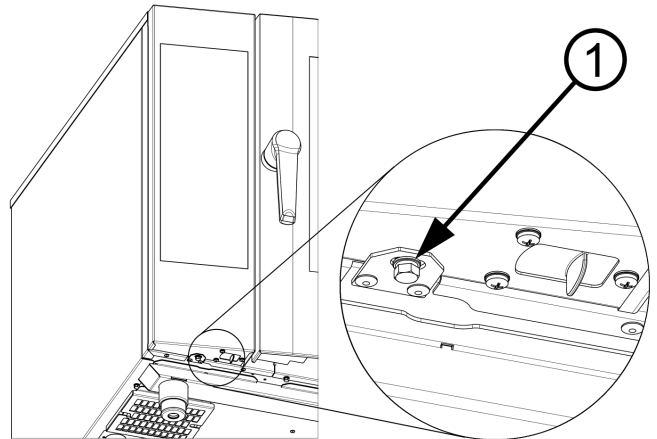


Figure 11: Loosening the control panel

Disassemble the relay panel from the plastic spacers. Using flat-nose pliers, loosen the polyamide spacers (1, 2, 3, 4) on which the power board is affixed (see fig. 12). Carefully lift the relay panel and cables away from the aluminium panel to create room for work between the electrical board and the back of the power board.

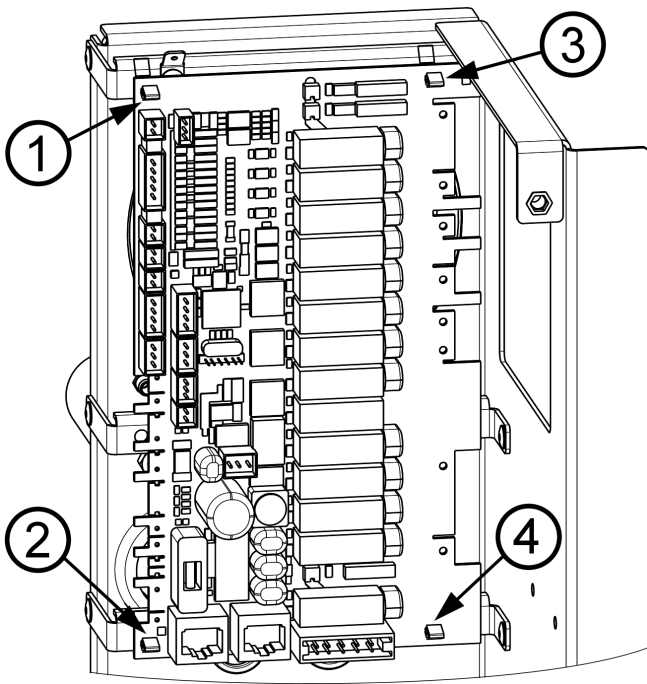



Figure 12: Positioning the plastic spacers

Screw the DIN rail with fuse and terminals from the hood set (1) onto the back of the electrical board in the prepared openings using M4x10 bolts and the cushioning pads and nuts (part of the set) (see fig. 13).

 Longer bolts should not be used, under any circumstances!

Put the relay board back onto the plastic spacers, applying light pressure to secure it.

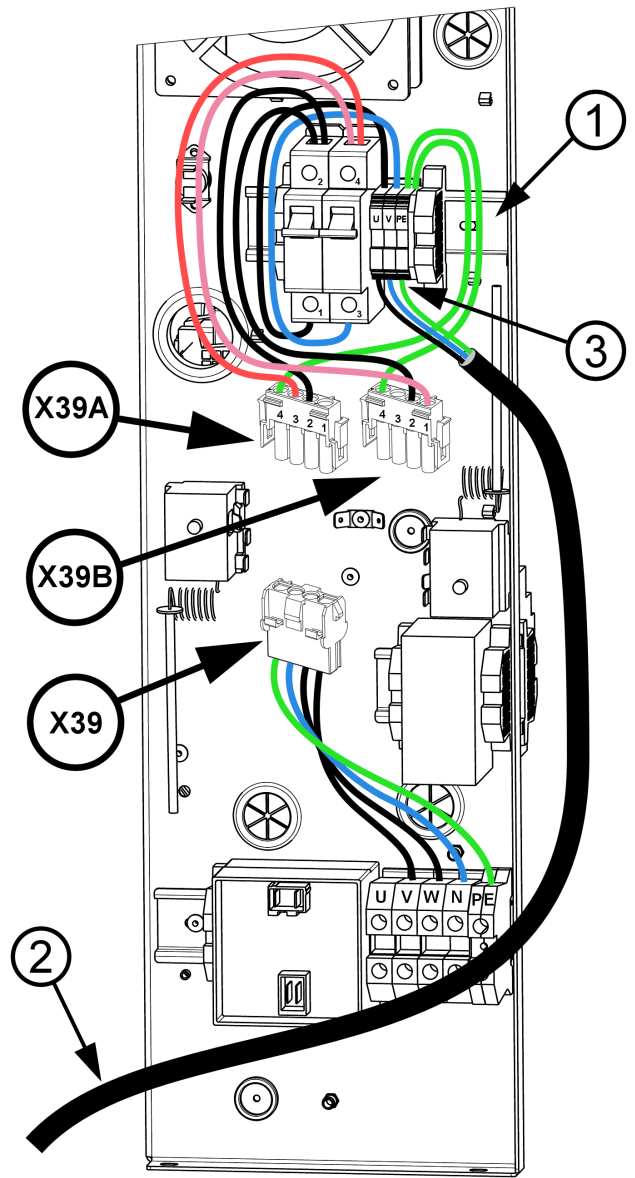


Figure 13: Connecting the 0610 hood set

If a appliance is connected to the **3N-/380-415V** electrical connection, connect the **X39 connector to the X39A connector**.

If a appliance is connected to the **3-/200-240V** electrical connection, connect the **X39 connector to the X39B connector**.

 The hood could be destroyed by connecting the wrong connector to plug X39!

In the base of the appliance, break through the flange marked with the number "3" (see fig. 7a or fig. 7b), insert cable gland PG 13,5 (which is a component of the hood) into the gland and thread the hood's power cable through it into the appliance.

Connect the individual wires of the hood's power cable (2) from below (3) to terminals U, V and PE from the hood set (see fig. 13).

## 5. ELECTRICAL CONNECTIONS FOR A 623 CONDENSATION HOOD

The hood may be connected only to a normalized voltage network, whose parameters match the data listed on the hood's nameplate.

The hood must be protected by a fuse of up to 16A.

At the back of the hood there is an M6 bolt (6), which is for protective couplings, see fig. 14. Connect it to a suitable cable and make the protective couplings.

### 5. 1. Connecting the control parts

At the back of the hood, there is a plastic distributor (4), from which the controlling UTP cable (2) emerges, at the end of which is connector RJ-45 (see fig. 14).

Run the UTP cable (2) directly downwards to the pierced flanges (3) in the back left corner of the base of the appliance (see fig. 14).

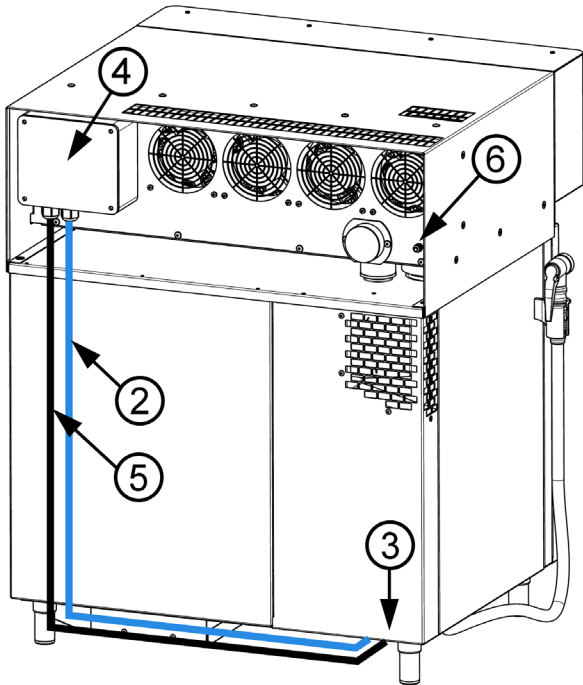


Figure 14: Back of 623 hood

After breaking through the flange marked with the number "2", insert cable gland M20x1,5 into it, thread the UTP cable through the gland and fasten it securely (see fig. 15).

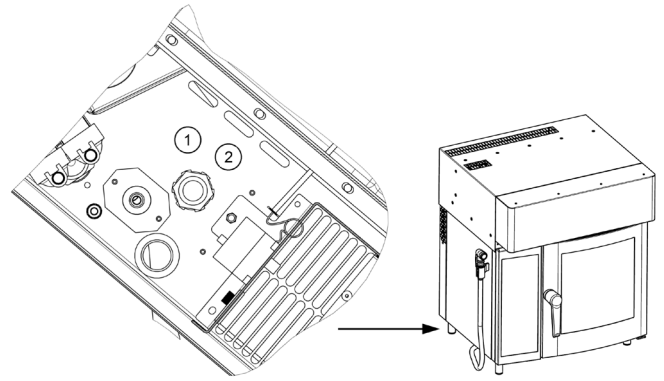


Figure 15: Location of the flanges on the base of an appliance of size 623

Run the UTP cable (2) over the upper edge of the electrical board (1) and down towards the relay panel (3), see fig. 16.

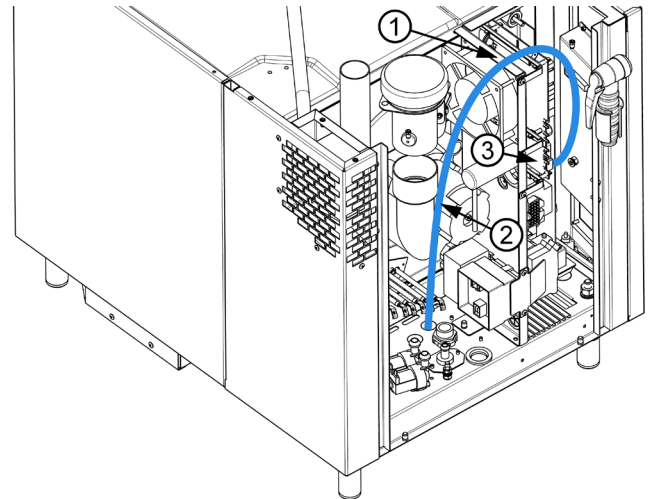


Figure 16: Route of UTP cable inside appliance 623

Fit the end of the UTP cable (2) into RJ-45 port (1) marked X4 or X5 on the relay panel (3) (see. fig. 17).

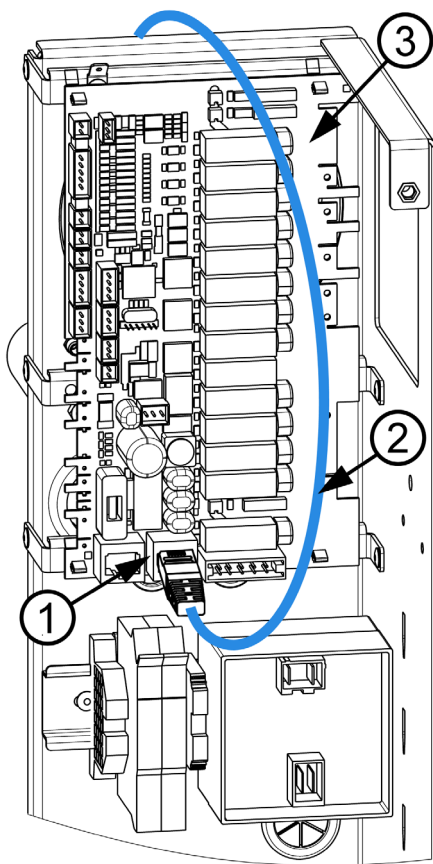


Figure 17: Fitting the UTP cable into the RJ-45 port

## 5.2 Connecting the power parts

At the back of the hood (see fig. 14), there is a plastic distributor (4), from which the 3 x 1.5mm<sup>2</sup> power cable emerges(5), terminating in loose leads.

The hood may be powered either from a separate electrical connection (fixed or movable) or directly from the appliance. The method of connecting the power part depends on which of these options is selected. Connecting the control part is the same in both cases.

### POWERING FROM A FIXED ELECTRICAL CONNECTION

Attach the free end of the cable to the fixed electrical supply, which must contain a multi-pole breaker device (switch) with a minimum distance of 3mm between the contacts.

### POWERING FROM AN ELECTRIC PLUG

On the free end of the cable attach a suitable power plug (not included in the package) for the country of use. The plug must be inserted into a socket that is within easy reach.

### POWERING FROM THE APPLIANCE

Run the power cable (5) directly downwards from the plastic distributor (4) to the pierced flanges in the back left corner of the base of the appliance (3) (see fig. 14).

Make sure that the appliance is disconnected from the power supply.

Remove the left side cover of the appliance.

Loosen the control panel by unscrewing the M4 bolt with washer (1) from underneath the control panel (see fig. 18), and remove the panel by sliding upwards, pull out towards you and flip out to the left.

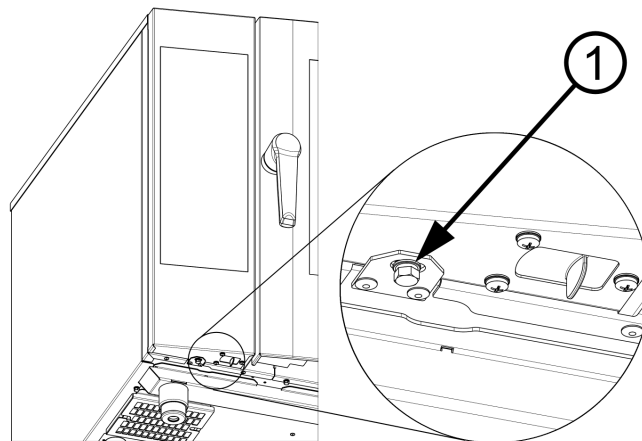


Figure 18: Loosening the control panel

Attach the fuse holders and terminal from the hood set to the DIN rail (1) at the front of the electrical board (see fig. 19)

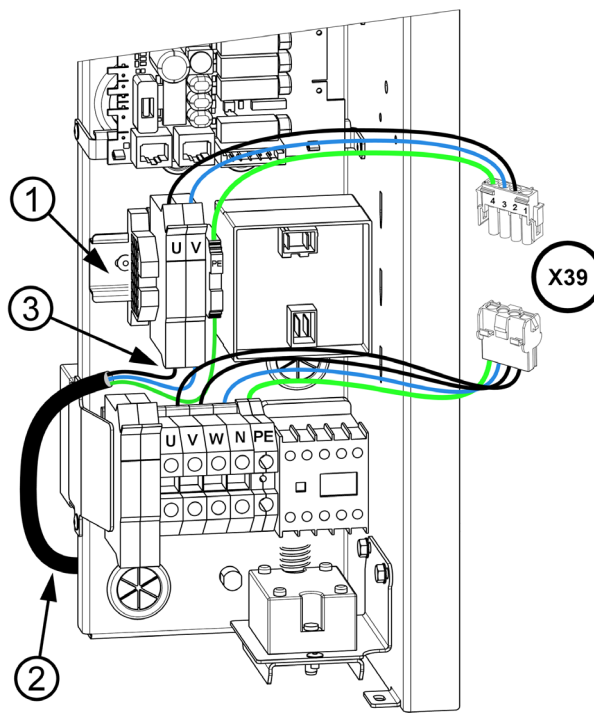


Figure 19: Connecting the 623 hood set

Insert connector X39 from the hood set into plug X39, which leads from the main terminal block of the appliance.

In the base of the appliance, break through the flange marked with the number "1" (see fig. 15), insert cable gland PG 13,5 (which is a component of the hood) into the gland and thread the hood's power cable through it into the appliance.

Connect the individual wires of the hood's power cable (2) from below (3) to the fuse holders and to terminals PE from the hood set (see fig. 19).



Do not confuse with the fuse holders on the main terminal block of the appliance!

## 6. FITTING A 0610 CONDENSATION HOOD ONTO A CONFIGURATION OF TWO APPLIANCES

### MODIFICATION OF THE CONDENSATION HOOD

Remove the hood from its transport packaging and set it on its side on one of the polystyrene packages. The standard hood is produced and delivered for use on one appliance. The hood must be modified before it can be fitted onto a combination, and this requires the "Set for combination with hood", Article AA11-9908.

From the rear of the hood, after unscrewing the 2 bolts and one hose fastener, take off the simple entry adapter to the flue and replace it with the dual adaptor (1) (see fig. 21) which forms part of the set, and then secure it again with the bolts.

Using a tool, unlock and open the cover of the hood distributor. Inside the distributor, unscrew cover M20 from the opening for the cable gland. In place of the cover, install the cable gland (1) with the UTP cable (part of the set) and slide the cable connector into the open position (2) on the electronics board in the hood distributor (see fig. 20).

Run the auxiliary UTP cable with grommets and ferrite in parallel to the original cable (3) and, using the draw strips (part of the set), secure it to the original cable (see fig. 20).

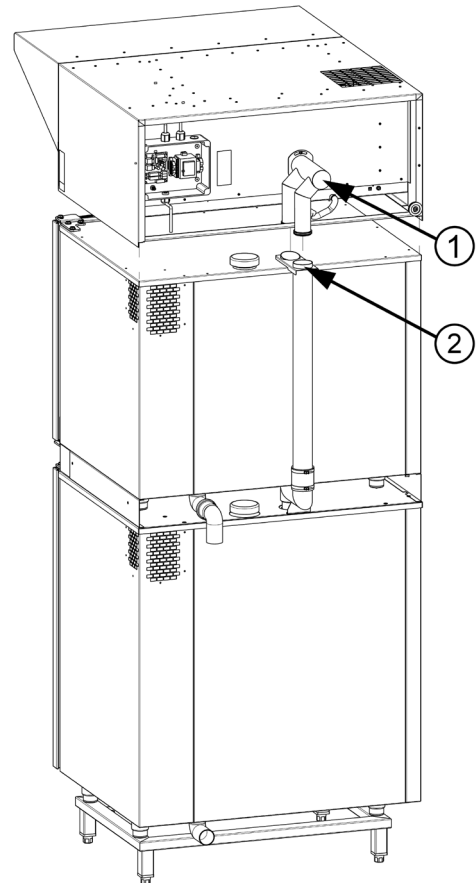


Figure 21a: A hood on a combination of two appliances

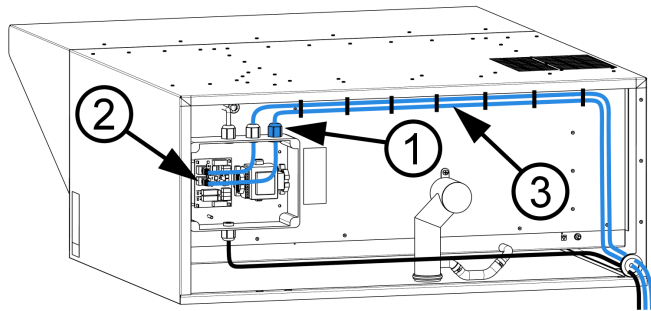


Figure 20: Connecting the cables inside the distributor

### FITTING THE CONDENSATION HOOD

Remove the side cover of the appliance onto which the hood is to be installed. Unscrew the bolts of the cover using a screwdriver and a no. 8 spanner.

Fit the 0610 hood onto the appliance, taking care to correctly connect the hood input (the tube at the back of the hood) onto the appliance flue. In regard to the hood weight (60 kg), it is necessary to ensure a sufficient number of persons for this action.

Fit the hood onto the combination, taking care to correctly connect the hood's two-way input adapter (1) to the flue of the upper appliance (2) (see fig. 21).

When a hood is installed on a combination of two devices, the hood's power supply comes from the upper appliance.

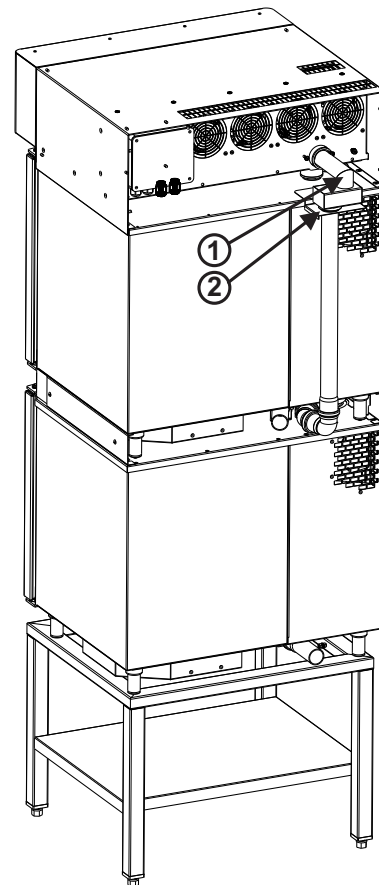
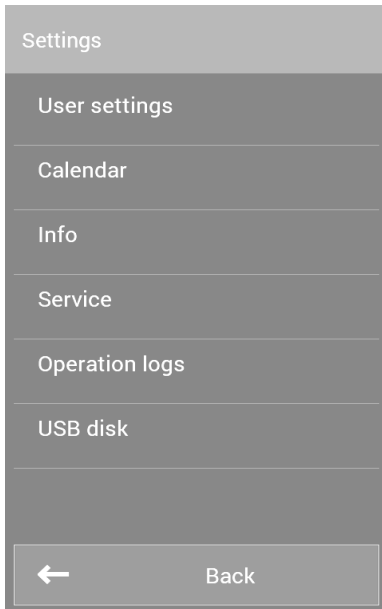


Figure 21b: A combination 623 with a hood

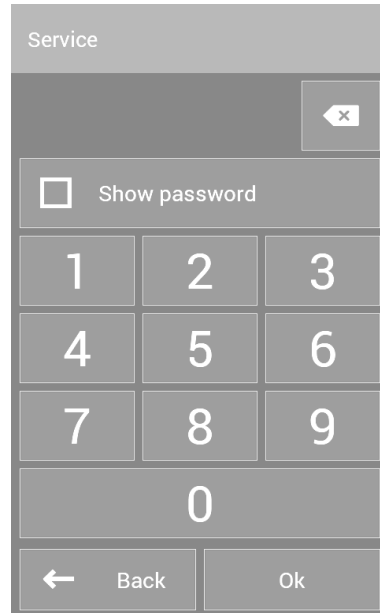
## 7. CONDENSATION HOOD SETTINGS AND CONTROLS

### MODEL BLUE

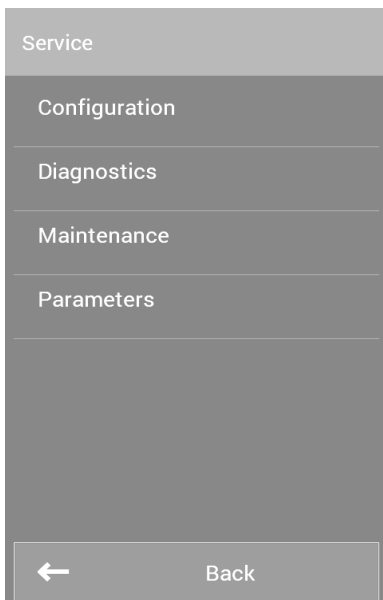
1. On the main screen, press the button "SETTINGS"
2. Select "SERVICE"



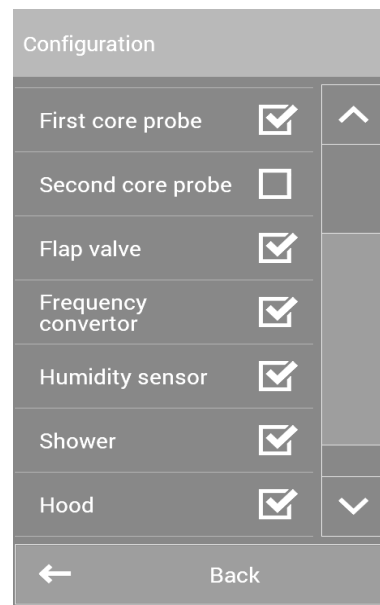
4. "Enter your service PIN"



3. Select "CONFIGURATION"



5. Select "HOOD"



6. Finally, press the "BACK" button several times to return to the main screen

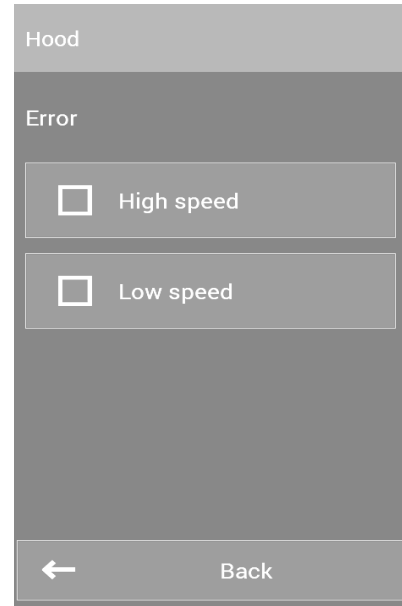
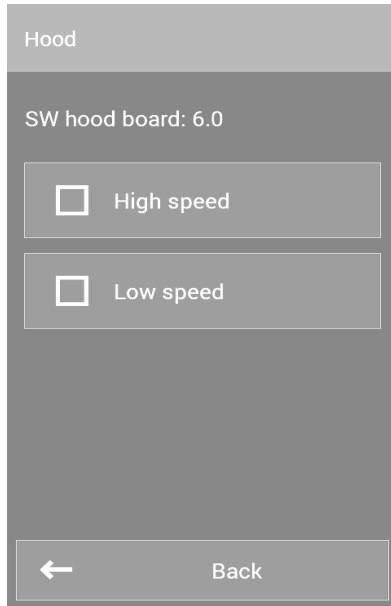


## CONTROLLING THE CONDENSATION HOOD IN THE DIAGNOSTICS

### (FOR TESTING PURPOSES)







1. On the main screen, press the button "SETTINGS"
2. Select "SERVICE"
3. Select "DIAGNOSTICS"
4. Select "HOOD"
5. The hood's motor can now be set to a lower or higher speed.

(If communication is not established with the hood, the word "ERROR" will appear here instead of the software version.)

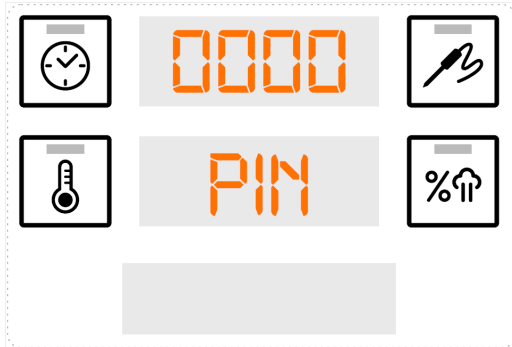


6. Finally, press the "BACK" button several times to return to the main screen

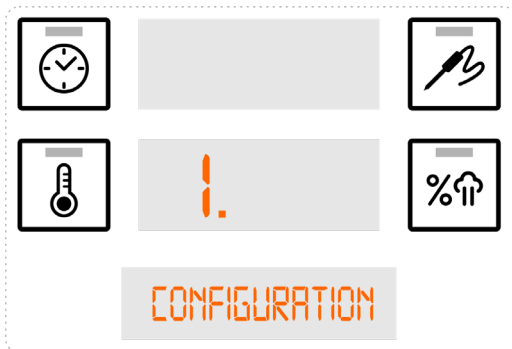
## MODEL ORANGE


1. Hold down the buttons  and .
2. Enter the service PIN. Using the buttons  and  enter the number which is flashing up on the screen. Then move to the next position with button  or  and repeat the process.

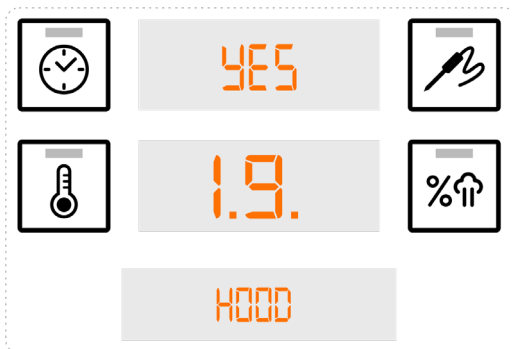
Finally, confirm your PIN with button .




3. Use button  to confirm item 1. "CONFIGURATION"








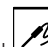








4. Use arrows  and  to select item 1.9. "HOOD" and use buttons ,  and  to change it to "YES"



5. Now press the  button twice to return to the main screen.

## CONTROLLING THE CONDENSATION HOOD IN THE DIAGNOSTICS

(FOR TESTING PURPOSES)

1. Hold down buttons  and .
2. Use buttons , ,  and  to enter your service PIN.
3. Use arrows  and  to select item 2. "DIAGNOSTICS" and confirm by pressing button .
4. Use arrows  and  to select item 2. 6 "HOOD" and confirm by pressing button .
5. The  button can now be used to control the hood's motor. Every time the button is pressed the following values appear:
  - 0** (motor off),
  - 1** (motor on at low speed),
  - 2** (motor on at higher speed)
6. Finally, press the  button three times to return to the main screen.

## 8. FAULT REPORT IN CONNECTION WITH THE CONDENSATION HOOD

As soon as the hood is in the right configuration and everything is correctly connected, it is ready to go. If this is not the case, the display screen of the appliance will show error report Err 62.5 - 72.5. You should then check and connect all the cables, circuit breakers (fuses) and terminals as described above. If the hood is being powered from a separate power supply, check that the socket has the correct voltage.



# MAINTENANCE AND CLEANING

Cleaning and maintenance should be carried out by a qualified person. The heat exchanger requires maintenance and cleaning whenever it starts working less efficiently, and at least once a year. The grease filters can be cleaned in a dishwasher. Disconnect the hood from its power source before cleaning and allow to cool down.

## CLEANING PROCEDURE:

- Remove the hood from the appliance and place it in a suitable location for cleaning.
- Remove the grease filters.
- On the front of the steam trap there are 12 M5 bolts. Unscrew these bolts and remove the steam trap (1) from the hood (see fig. 22).
- Unscrew the locking plate and the dividing bar (2).
- Remove the power cable connector (3) from the socket on the bottom of the motor.
- Remove the heat exchanger (4) and the motor (5).
- Remove the steel plate with the motor from the heat exchanger (see fig. 23).

RETIGO recommends using a servicing firm for cleaning and regular inspections of the appliance.

Only regular inspection and cleaning can prevent wear and tear and possible damage to the appliance.

A preventive servicing inspection should be made after one year of operation.

The washable components of the hood (grease filters, steam trap, dividing bar) and the inside of the hood should be washed with warm water and soap.

Place the heat exchanger in a suitable location for the water to drain away, with the three service openings (1) facing upwards (see fig. 23). Apply the soap to the heat exchanger through these three openings and leave to soak for 15 minutes. Then rinse the heat exchanger with hot water.

Repeat the procedure until the heat exchanger is clean.

After all the parts have dried, reassemble.

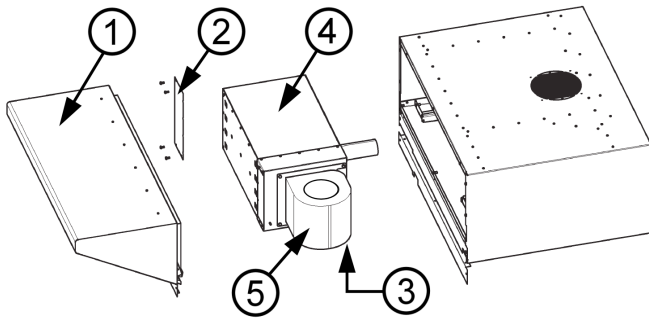


Figure 22: Disassembled 0610 hood

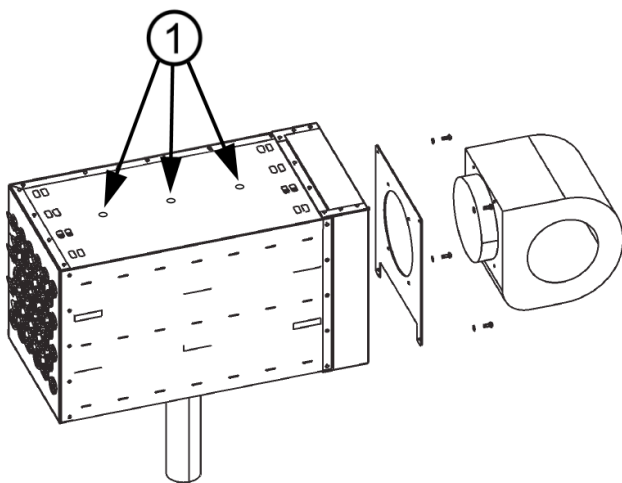


Figure 23: Description of the hood's heat exchanger



# retigo<sup>®</sup>

PERFECTION IN COOKING AND MORE...

**RETIGO s.r.o.**

Láň 2310

756 61 Rožnov pod Radhoštěm

Email: [info@retigo.cz](mailto:info@retigo.cz)

Tel.: +420 571 665 511

[www.retigo.cz](http://www.retigo.cz)

TSD\_15\_H\_EN\_R02